



MANUFACTURER OF ADJUSTABLE PEDESTALS

PB-Serie

MULTIPLES SOLUTIONS
FROM 15 TO 965MM

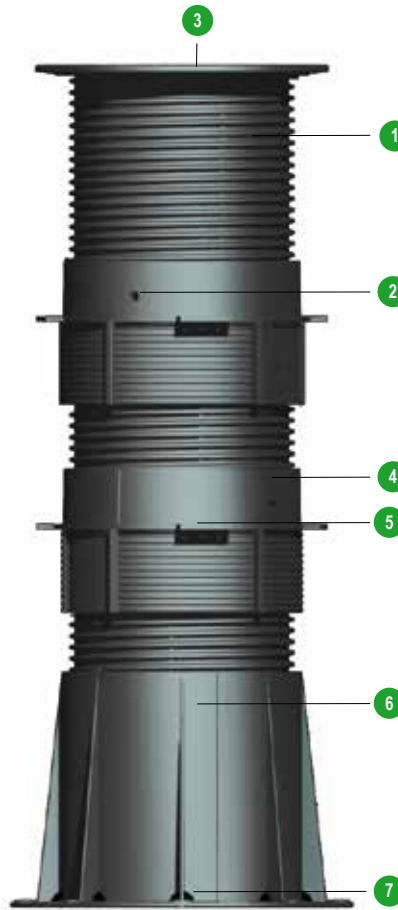




PB-Serie

Make a cross on your problems

Founded in 1987, Buzon Pedestal International is the first and leading European manufacturer of screw-jack pedestals. Buzon screw-jack pedestals offer uninterrupted adjustability, are made from 80% recycled and 100% recyclable polypropylene and support loads 650 to 1000 kg per pedestal. They can be adjusted to compensate for up to 5% pitch, or compensate for locally uneven sub-bases up to the same amount. The pedestals and their accessories are equally suited to applications at ground or roof level and from prestige, highly aesthetic projects to industrial, performance-orientated applications. Buzon is geared towards giving the specifier not just a product that meets and exceeds the required specification, but technical and on-site support that ensures the installation proceeds on spec, on time and on budget.



Elements :

- Support head (surface area 227 cm²) ;
- Coupler ;
- Base (surface area 305 cm²).

The head of the pedestal ① be screwed directly on the base or in the coupler. The head, diameter of 170 mm, may be fit with different tabs of 2 – 3 – 4,5mm thickness for the spacing between tiles. The head of the pedestal is available without tabs.

On the head and the coupler, a security clip ②, indicates the height adjustment limit.

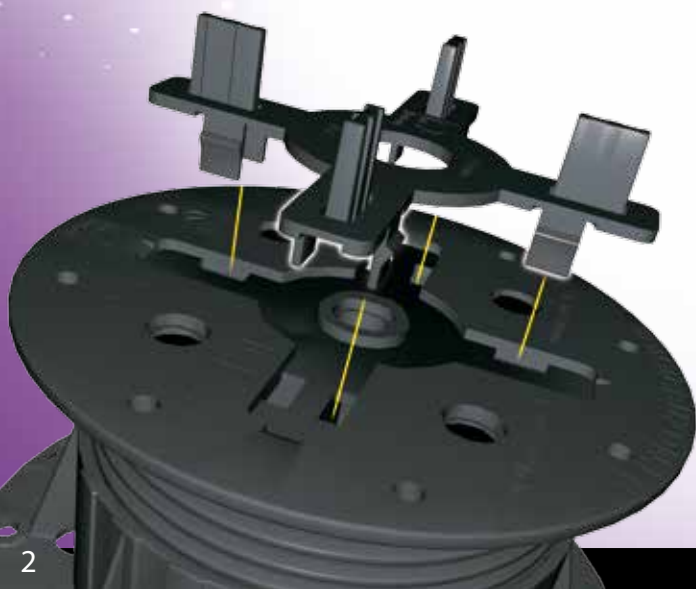
③ On the head, 8 holes of 8mm diameter allow the fixing with screws or bolts.

The coupler ④ is used when the used height exceed 200mm. Quatre crochets latéraux ⑤ allow to attach the pedestals, ensuring a good stability when the height exceed 600 mm.

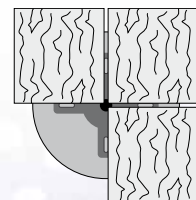
The base ⑥ stands on a surface area of 305 cm² (197 mm diameter and 3 mm thickness), may be simply put or fixed at the ground.

⑦ Draining holes.

Standard cross with tabs



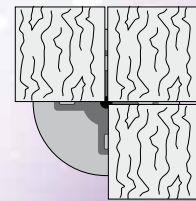
4,5 mm



4,5 mm



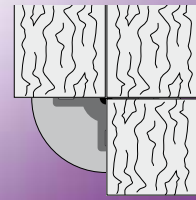
3 mm



3 mm

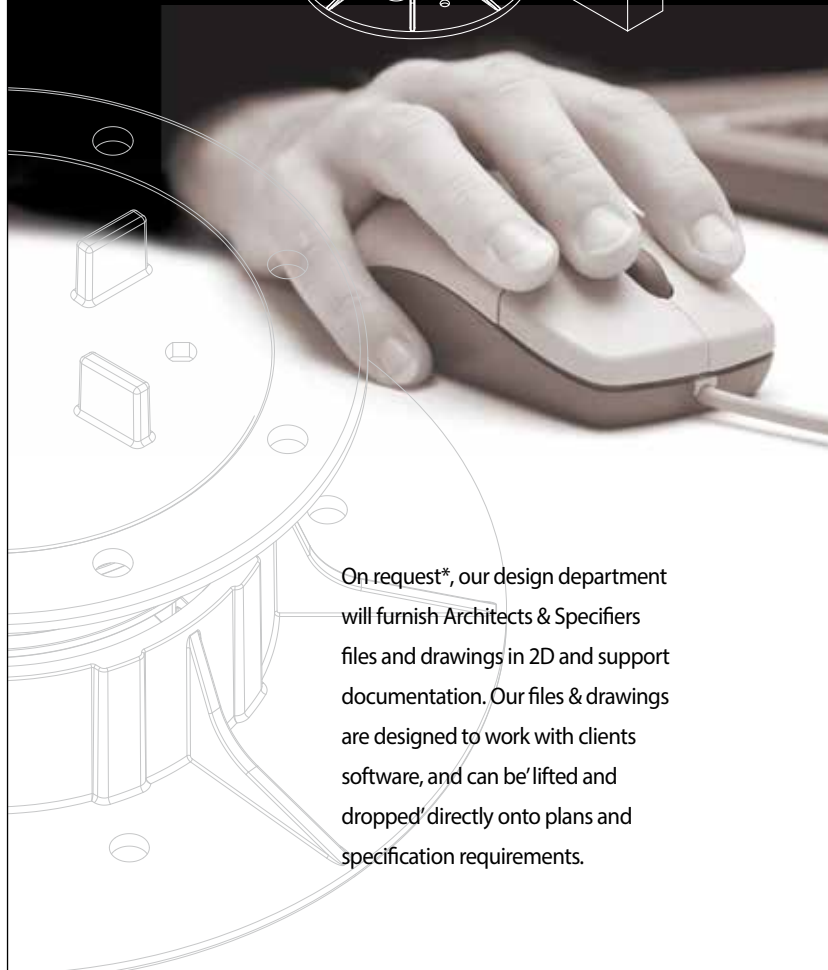
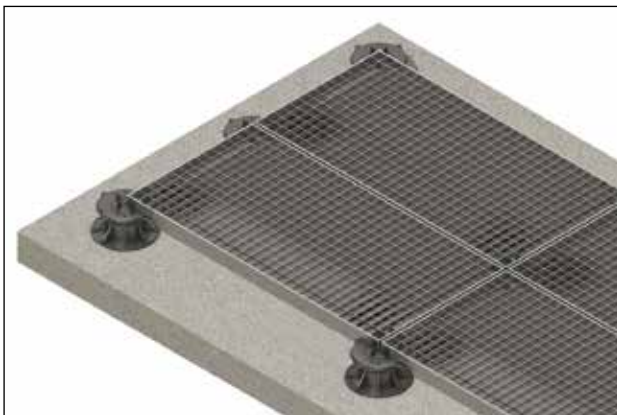
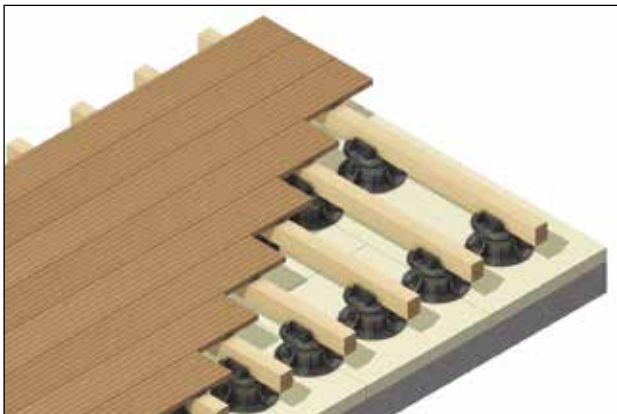


2 mm



2 mm

Applications

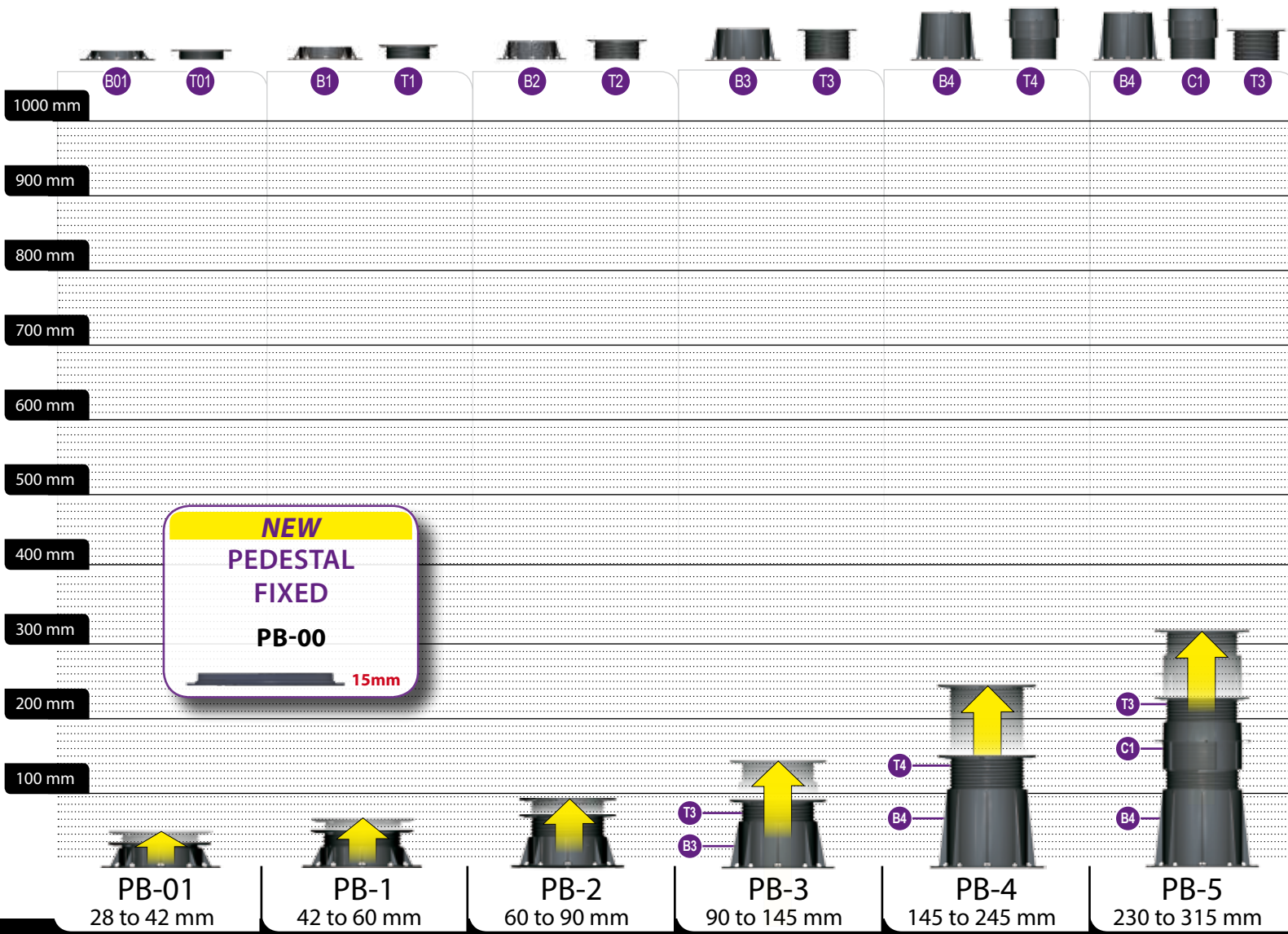


On request*, our design department will furnish Architects & Specifiers files and drawings in 2D and support documentation. Our files & drawings are designed to work with clients software, and can be 'lifted and dropped' directly onto plans and specification requirements.

* Specifications and drawings by request only.

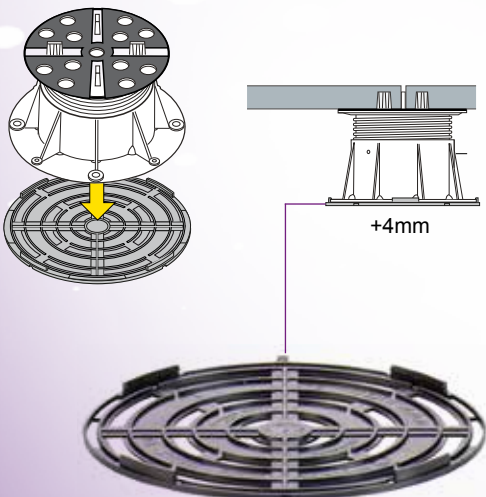
Heights of pedestals Buzon PB-Serie

Adjustable from 28 to 965 mm

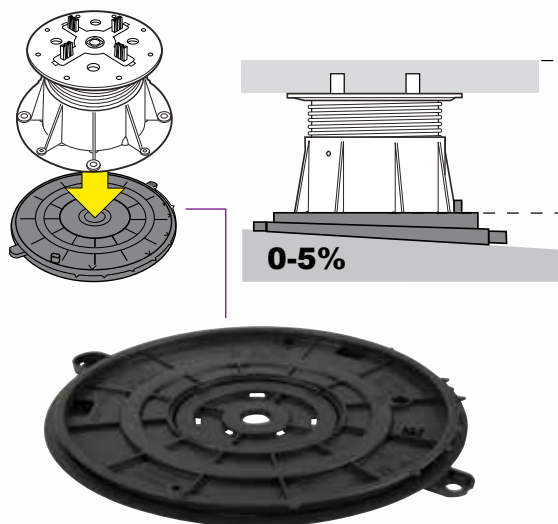


PB-SHIMS-4MM

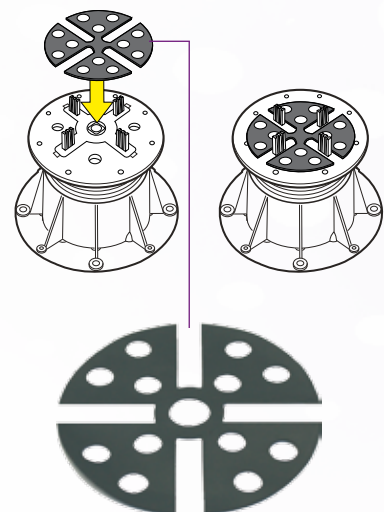
NEW

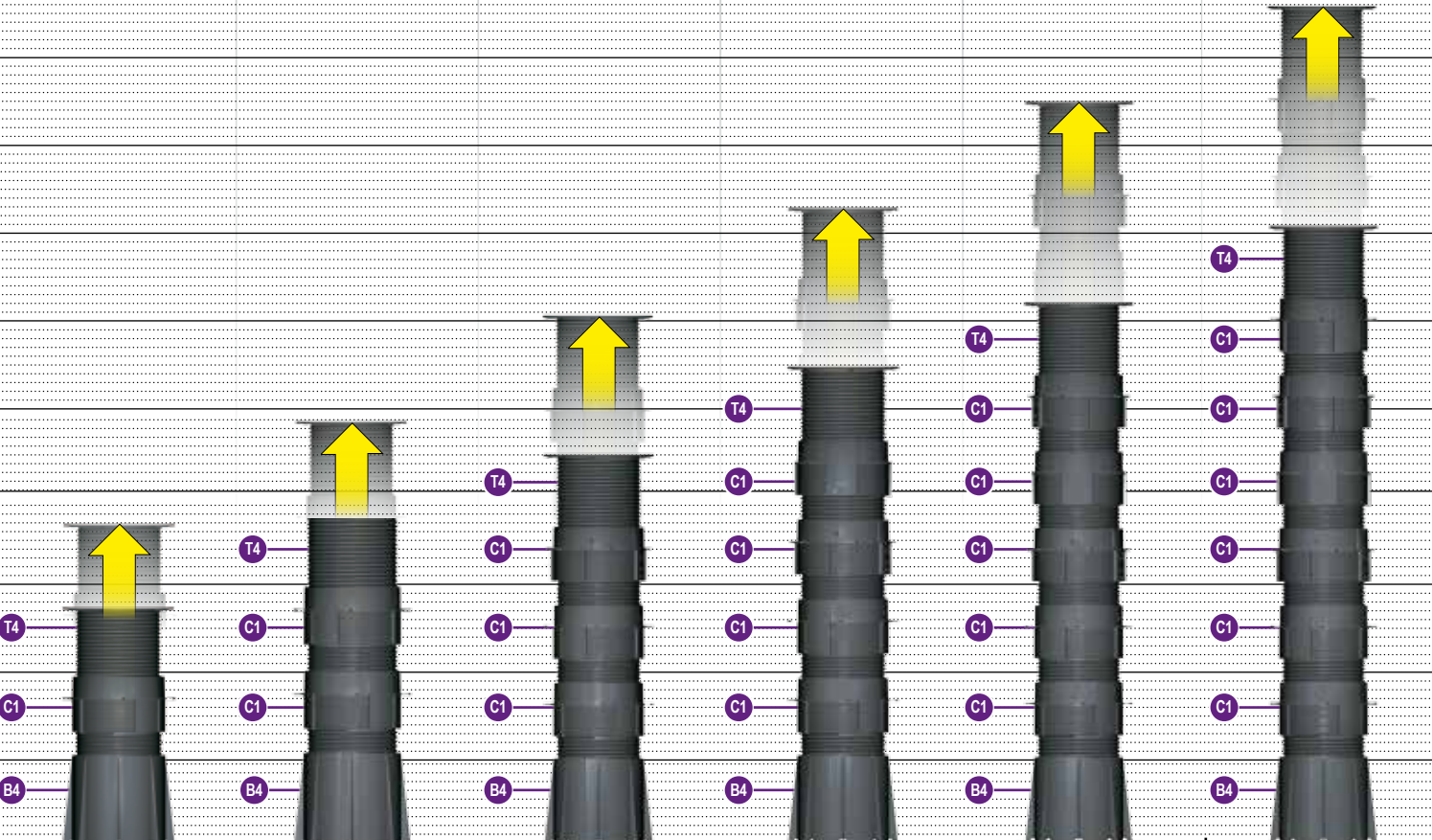
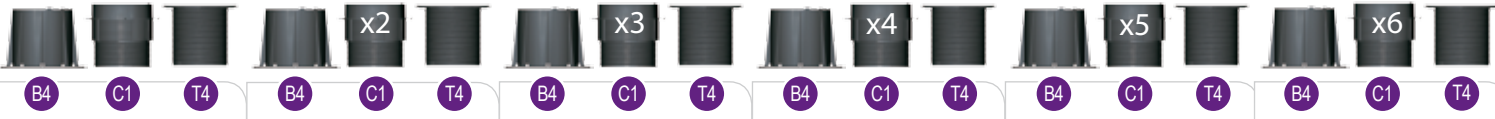


שילוב כוורקטור



Shim

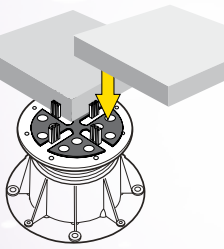




PB-6 285 to 367 mm **PB-7** 365 to 485 mm **PB-8** 452 to 605 mm **PB-9** 537 to 725 mm **PB-10** 620 to 845 mm **PB-11** 705 to 965 mm

Wood tiles

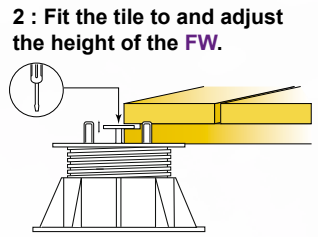
Clip for wood tiles



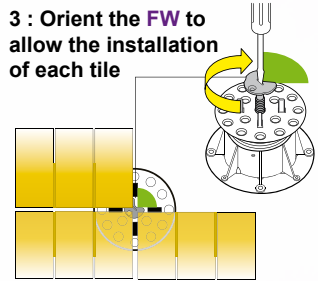
EPDM
1mm / 2mm



1 : Screw the FW on the pedestal

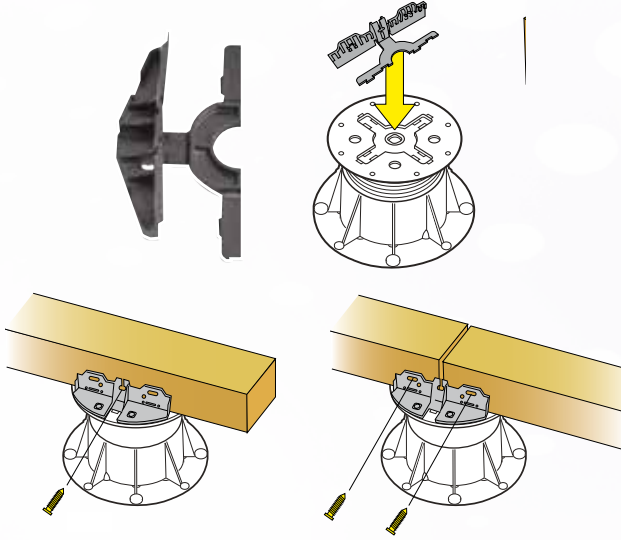


2 : Fit the tile to and adjust the height of the FW.



3 : Orient the FW to allow the installation of each tile

Batten holder





Wood decking terraces



Terraces with ceramic tiles



Terraces with ceramic tiles



Wood tiles terraces



Aluminum batten holder



Fastener Wood



Batten holder



Spacer tabs



Clip Werzalit

Wood terraces



Wood terraces made with wood slats offer a comfort and an unparalleled visual beauty. The different types of wood make it possible to build the ideal terrace for your home or swimming pool.



Wood/Ceramic tiles



Ceramic is undoubtedly one of the jewels of the industry Italian. His work is a longstanding tradition in the country.



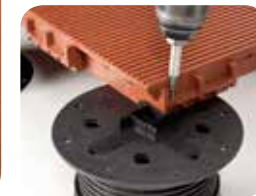
Composite wood terraces on aluminium battens



The Twinson system offers several attractive and long lasting solutions. Placed on an anodized aluminum frame, the composite wood slats are fixed in a simple and safe way to the structure supported by the pedestals. The end result is very modern and updated.



Terraces with composite wood tiles



Composite wood tiles have the great advantage of providing several visual solutions. They are easy to use and highly resistant to aging. Quick installation.





TERRASSE - PARIS (FRANCE)



GOLF SART-TILMAN - LIÈGE (BELGIQUE)



CONTOUR PISCINE - BELGIQUE



PARC - FRANCE



OFFICE BUILDING - GREECE



NATIONAL BOOKSHOP - PRETORIA (SOUTH AFRICA)



MILITARY ROYAL SCHOOL, BRUSSELS - BELGIUM



EMBASSY - PARIS (FRANCE)



UNIVERSITY OF DENVER, COLORADO - THE UNITED STATES



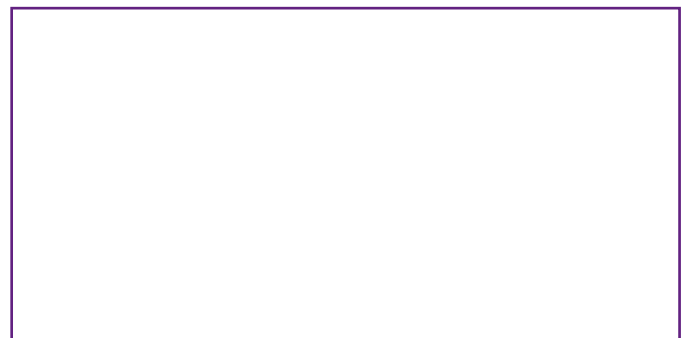
TERRACE FOUNTAIN - SINGAPOUR

References

- Site of the Parliament of the EU, Brussels - Belgium (2 000 m² with base to 55 cm)
- Military Royal School, Brussels - Belgium (Timber terrace - 1.500m²)
- National museum of Tokyo - Japan (300 m²)
- University hospital of Kansas City - the United States (1 000m²)
- University of Denver, Colorado - the United States
- Building of the site of the European Parliament, Strasbourg - France (2 000m²)
- Site of the General society, Brussels - Belgium
- Bank Communal Crédit, Brussels - Belgium
- Disneyland, Paris - France (500m²)
- Industrial laboratory of Films FUJY - France
- Metro Station - Lisbon (Portugal) (1 000 m²)
- Petnoas Tower - Kuala Lumpur - Malaysia
- Diabete Traitement Center - Kuwait
- National Threatre - Singapore (1 500m²)
- City Bank - Bahrain (875m²)
- Amusement Park - Belgium



TEMPLE - TOKYO (JAPON) - ARCH. SHINKENCHIKU-SHA



043-055-1351
Made From Minimum 50% Recycled Content



Manufacturer :

Buzon Pedestal International s.a.
Z. I. des Hauts-Sarts, Zone 1
Prolongement de la rue de l'Abbaye
B-4040 Herstal (Belgique - Europe)
Tél. : +32 (0)4 248 39 83 - Fax : +32 (0)4 264 82 38